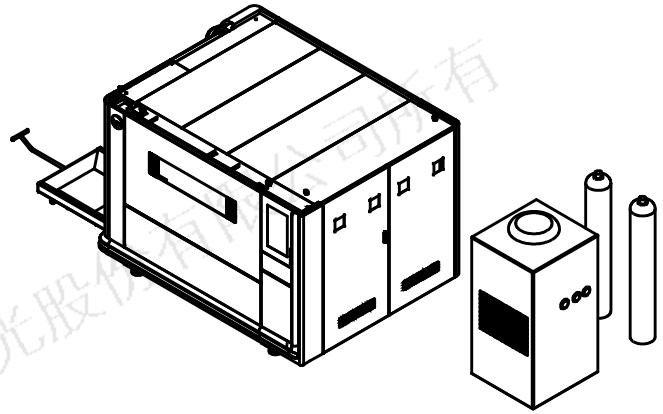
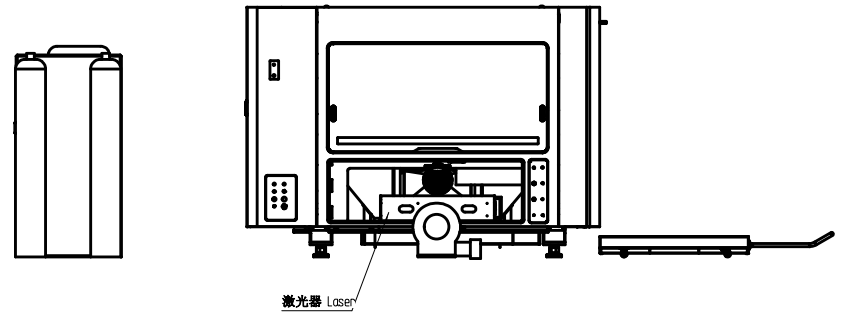
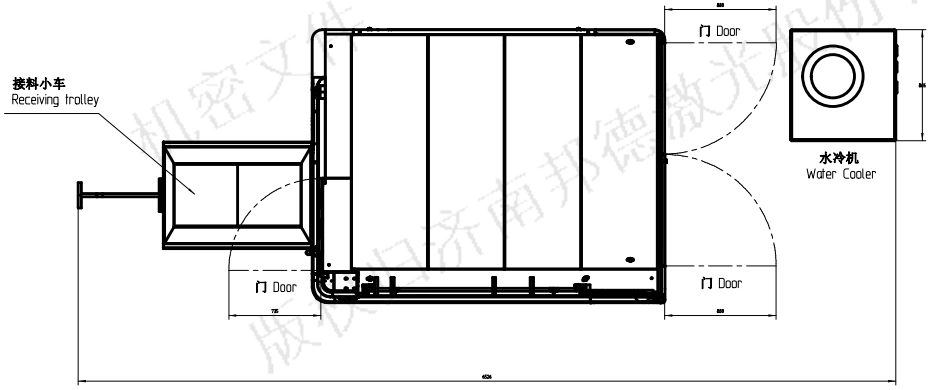
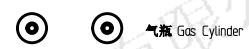
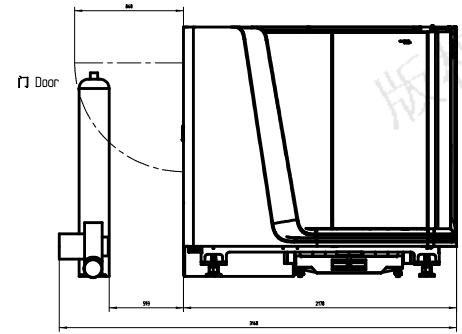
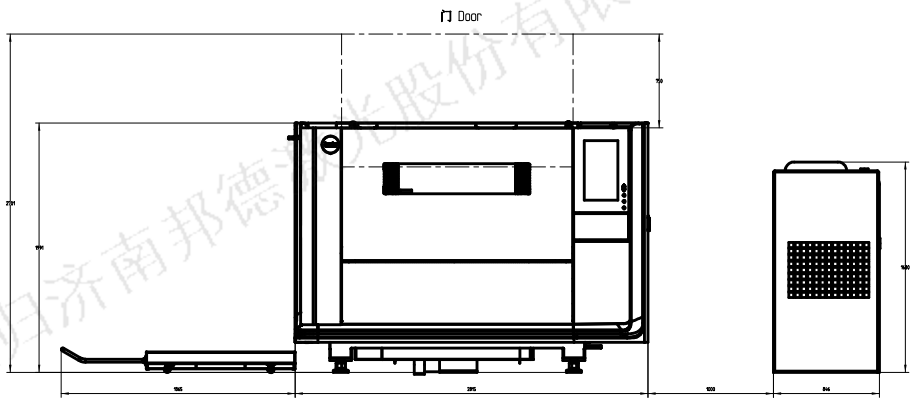


i5 现场布局图 i5 Site Layout



- 就位要求:**
Attention!
- 整机四周距障碍物至少1m;**
Obstacles should be stayed at least 1m away from the whole machine.
 - 整机应远离震源;**
Machine should be far away from the hypocentre (origin of shocks);
 - 整机就位场地平整度应不大于5mm;**
The flatness of the floor should be less than 5mm;
 - 整机接入电压浮动在±5%以内;**
Input voltage floating within±5%;
 - 风机及气源请自行放置在不影响使用的位置;**
The location of exhausters and the gas cylinders can be decided by users. However, they should not affect the machine operation.
 - 激光器置于床身内部.**
The laser source is stored in body.
 - 本现场布局图仅供参考.**
This layout is defined as a reference.

						本图号		济南邦德激光股份有限公司 (Bodor Laser Co., Ltd.)	
设计	审核	分区	更改文件编号	年月日	数量	图号	比例	5-现场布局图 5 Site layout	
制图	工艺							15	E-105-A-10
审核	审核								替代
						共	张	第	张